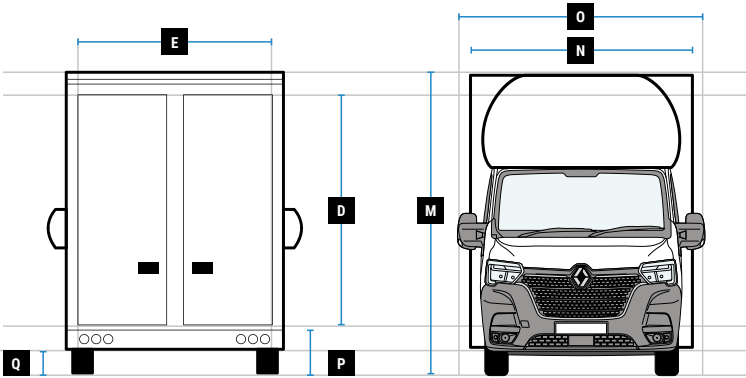
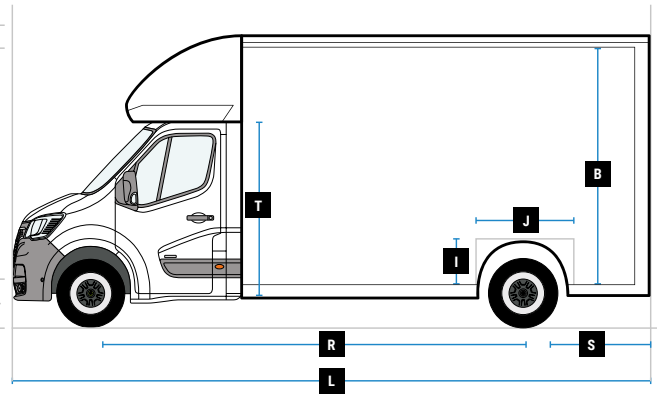
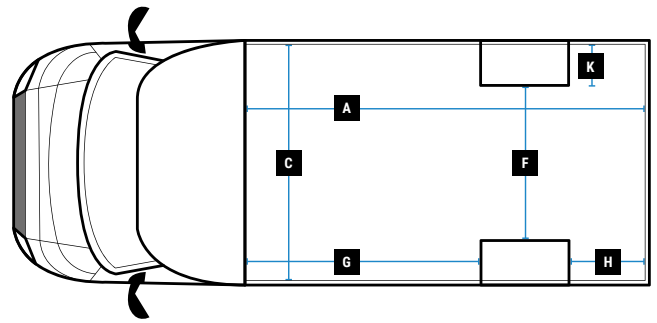


DIMENSIONS

e-LOADER AERO GT
L 5.0M H 2.3M W 2.1M



**MAX PAYLOAD
UP TO 1050 KG**



**MAX VOLUME
UP TO 25M³**



**GVW
3500KG**

Internal Cargo Dimensions

| | | |
|---|---------------------------|--------|
| A | Load Length | 5000mm |
| B | Load Height | 2300mm |
| C | Load Width | 2100mm |
| D | Height through rear doors | 2105mm |
| E | Width through rear doors | 1845mm |
| F | Between Wheel Arches | 1390mm |
| G | Bulk Head to Wheel Arches | 2180mm |
| H | Wheel Arch to Rear Frame | 1950mm |
| I | Wheel Arch Height | 260mm |
| J | Wheel Arch Length | 870mm |

Exterior Dimensions

| | | |
|---|-------------------------------|--------|
| K | Wheel Arch Width | 355mm |
| L | Total Length | 7590mm |
| M | Total Height | 2925mm |
| N | Total Width Excluding Mirrors | 2150mm |
| O | Total Width Including Mirrors | 2520mm |
| P | Loading Height [Std Susp] | 550mm |
| Q | Ground Clearance | - |
| R | Wheel Base | 4332mm |
| S | Rear Overhang | 1980mm |
| T | Cab Height | 1855mm |

Payload is approximate and may vary dependant upon final specification.



**INCREASED
PAYLOADS**



**INCREASED
VOLUME**



**INCREASED
PROFIT**



**REDUCED
FOOTPRINT**

**DELIVER LOADS MORE FOR LESS
THE CHOICE OF PROFESSIONALS**

01673 863 300

maximover.co.uk

All calculations are dependent upon the final build specification. Dimensions and specifications are based on rear barn door configuration. Terms & conditions apply.